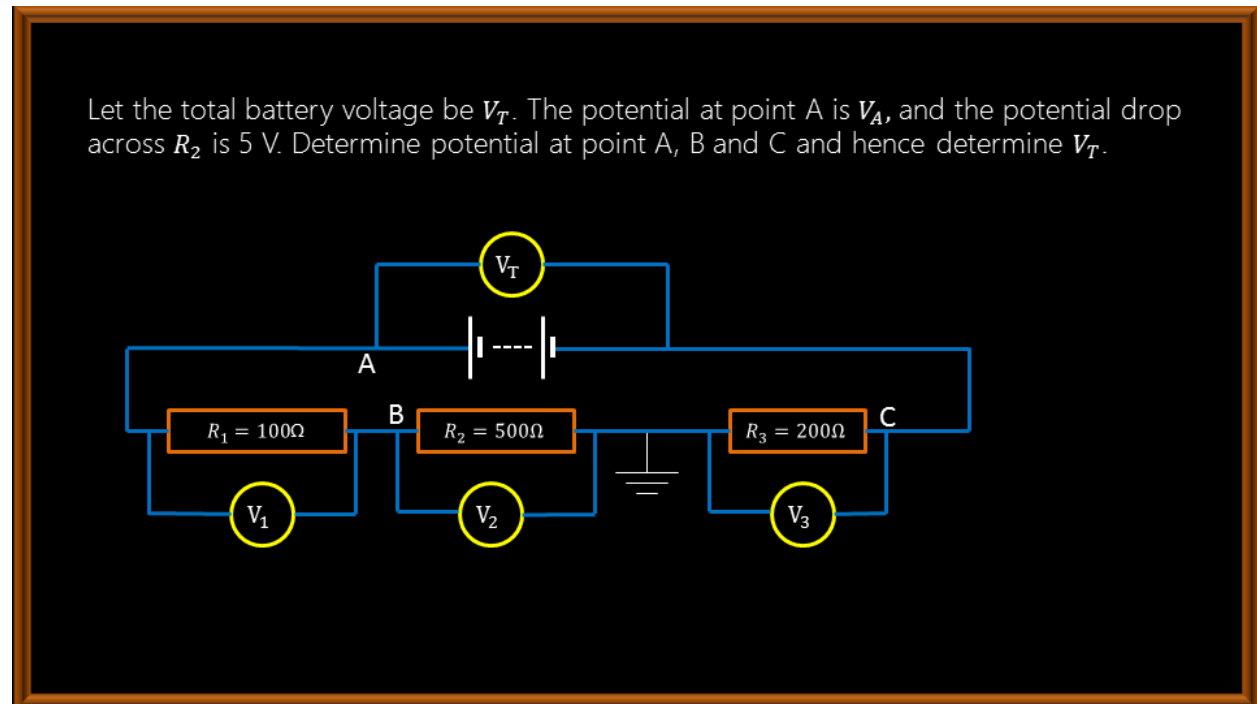


The Operational Amplifier

Question on Potential at a point and Potential Difference

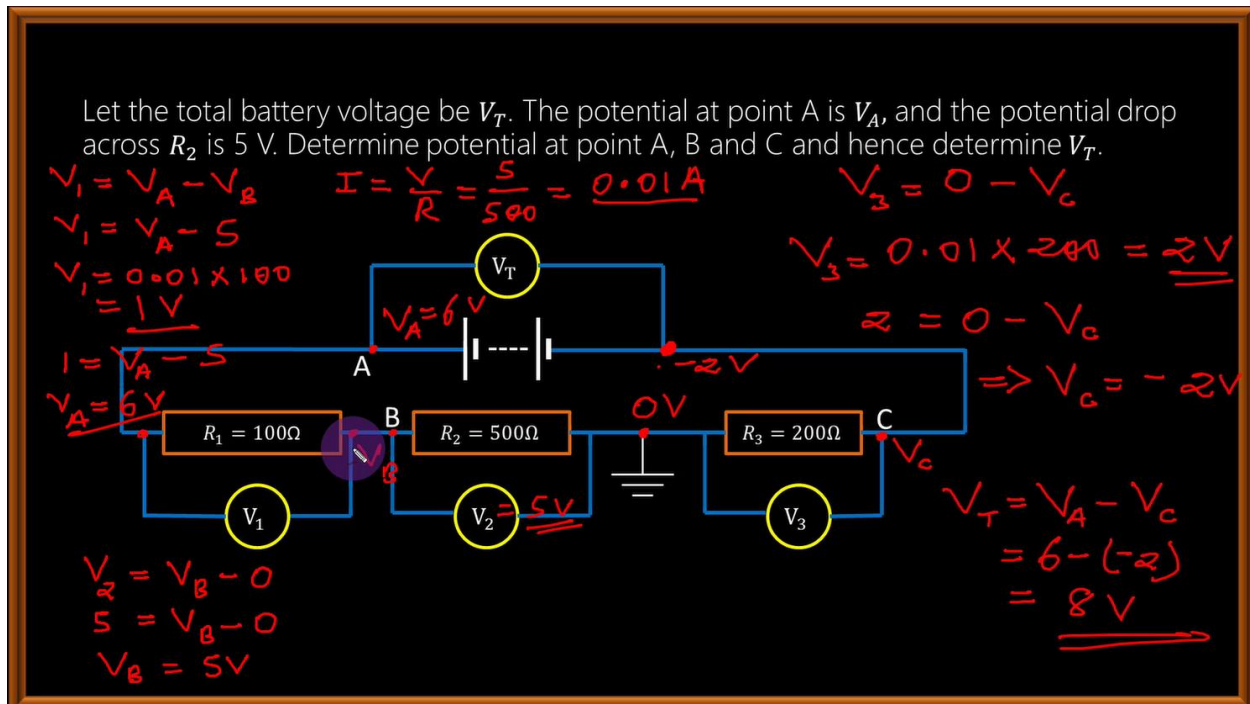
Attempt the question below. Click of the link to view the answer. I also show you how the solution is arrived at in the next lecture



[View the answer](#)

The Operational Amplifier

Answer



[Go back to the Question](#)

You may also play the next lecture where I show you how the answers are arrived at'